

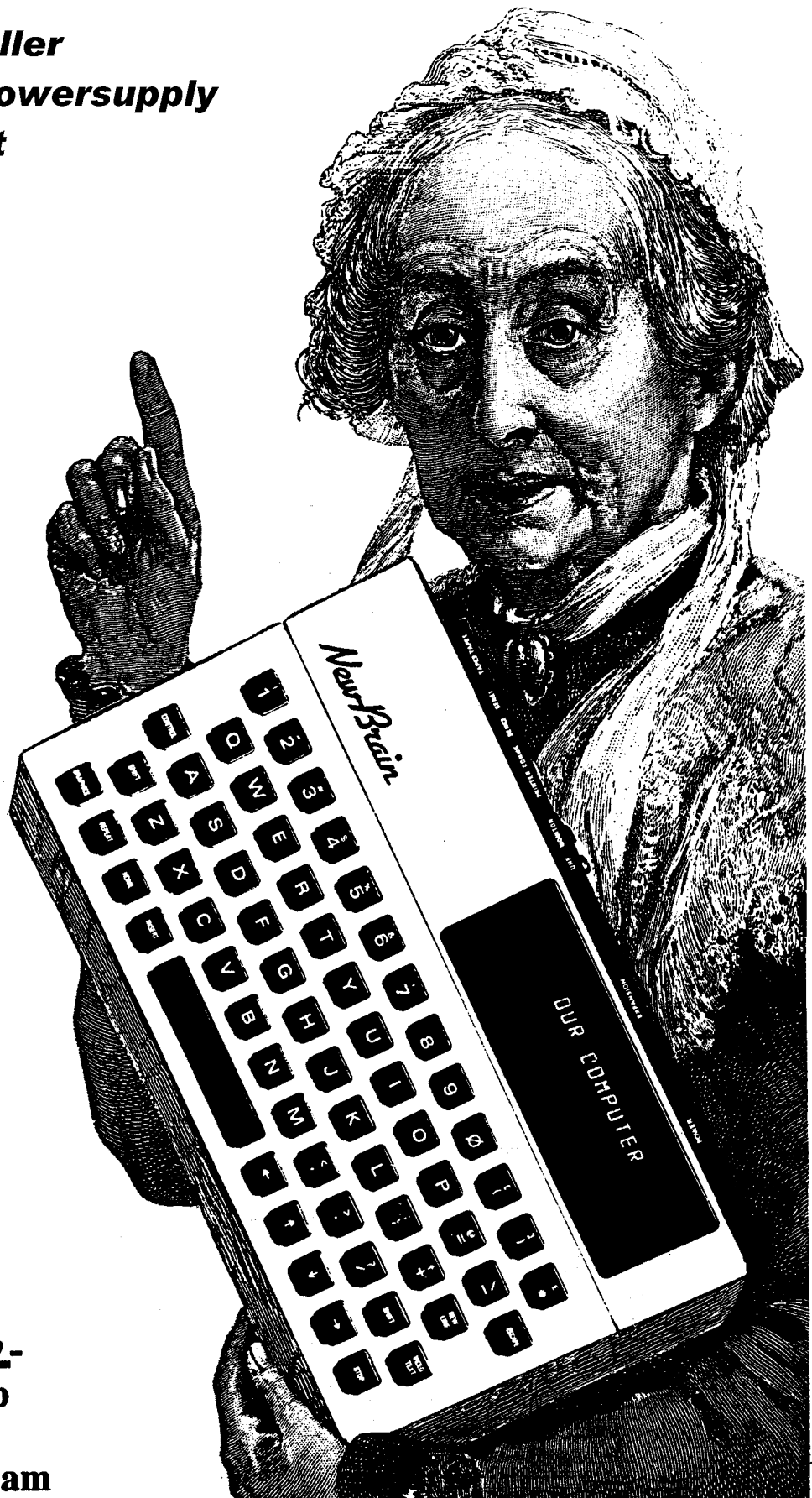
Schema's / Schematics

NewBrain

Disk controller

Voeding / Powersupply

Battery unit



NewBrain-
gebruikersgroep
postbus 94494
1090 GL amsterdam



inhoud

newbrain	
schema main board	1
schema store board	3
schema keyboard model A	4
schema keyboard model AD	5
disk controller	
schema (model /3)	6
expansion	
schema main board	7
main pcb (componentzijde)	8
main pcb (soldeerzijde spiegelbeeldig)	9
voeding	10
battery unit	11

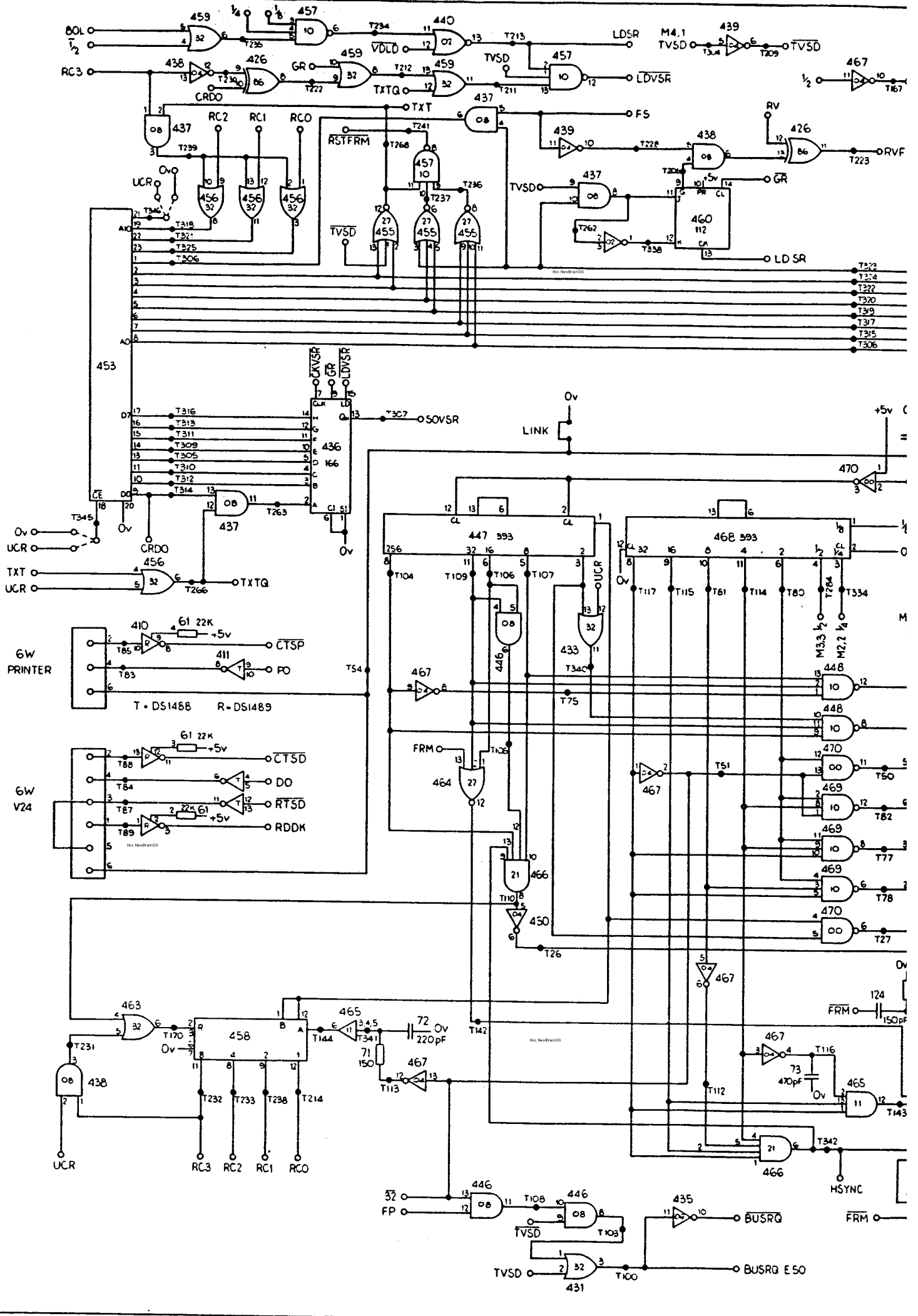
ja 921116



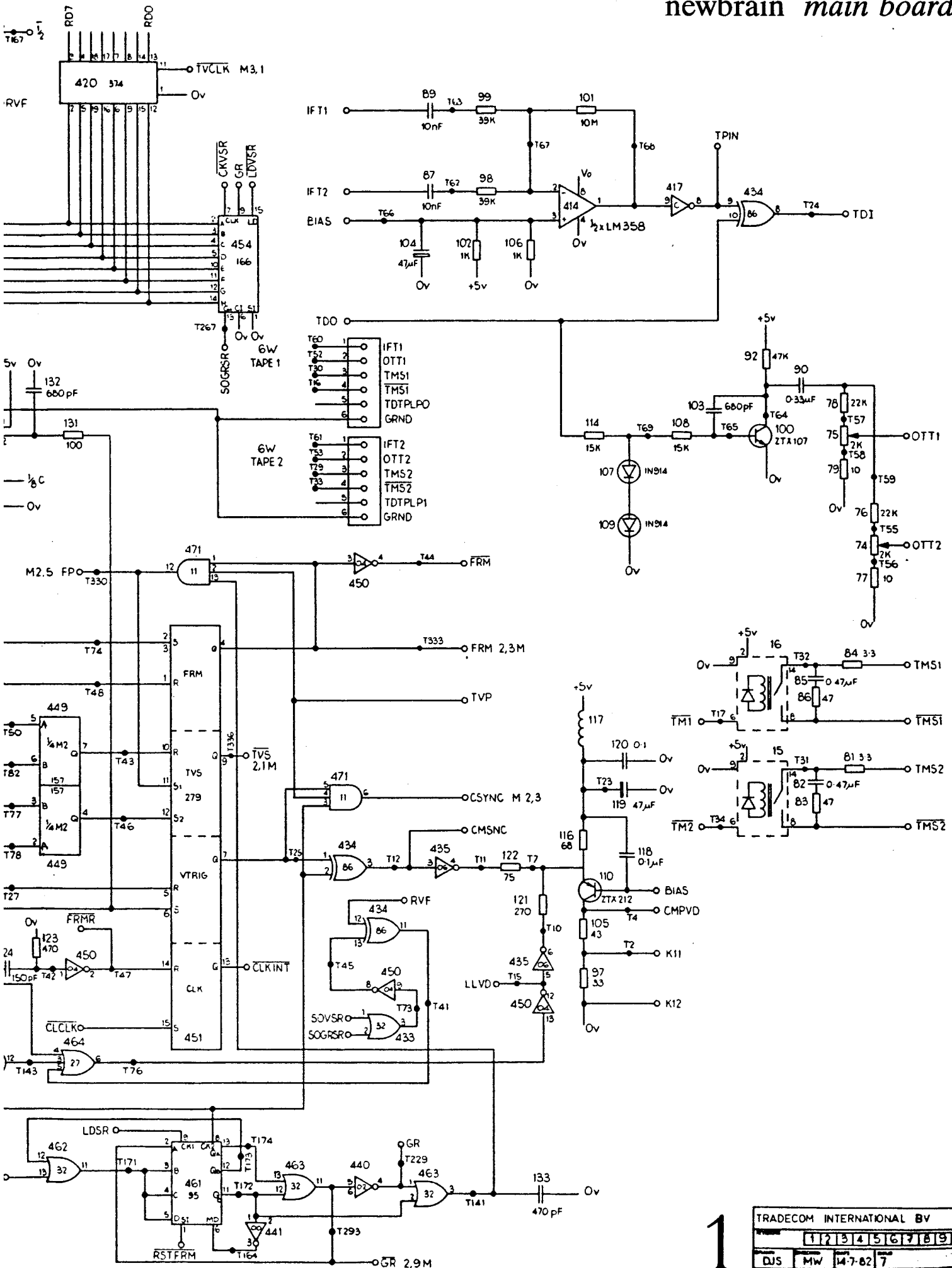
Contents

NewBrain	
schematics mainboard	1
schematics store board	3
schematics keyboard model A	4
schematics keyboard model AD	5
disk controller	
schema (model /3)	6
expansion	
schematics main board	7
layout main pcb (componentside)	8
layout main pcb (solder side)	9
power supply	10
battery unit	11

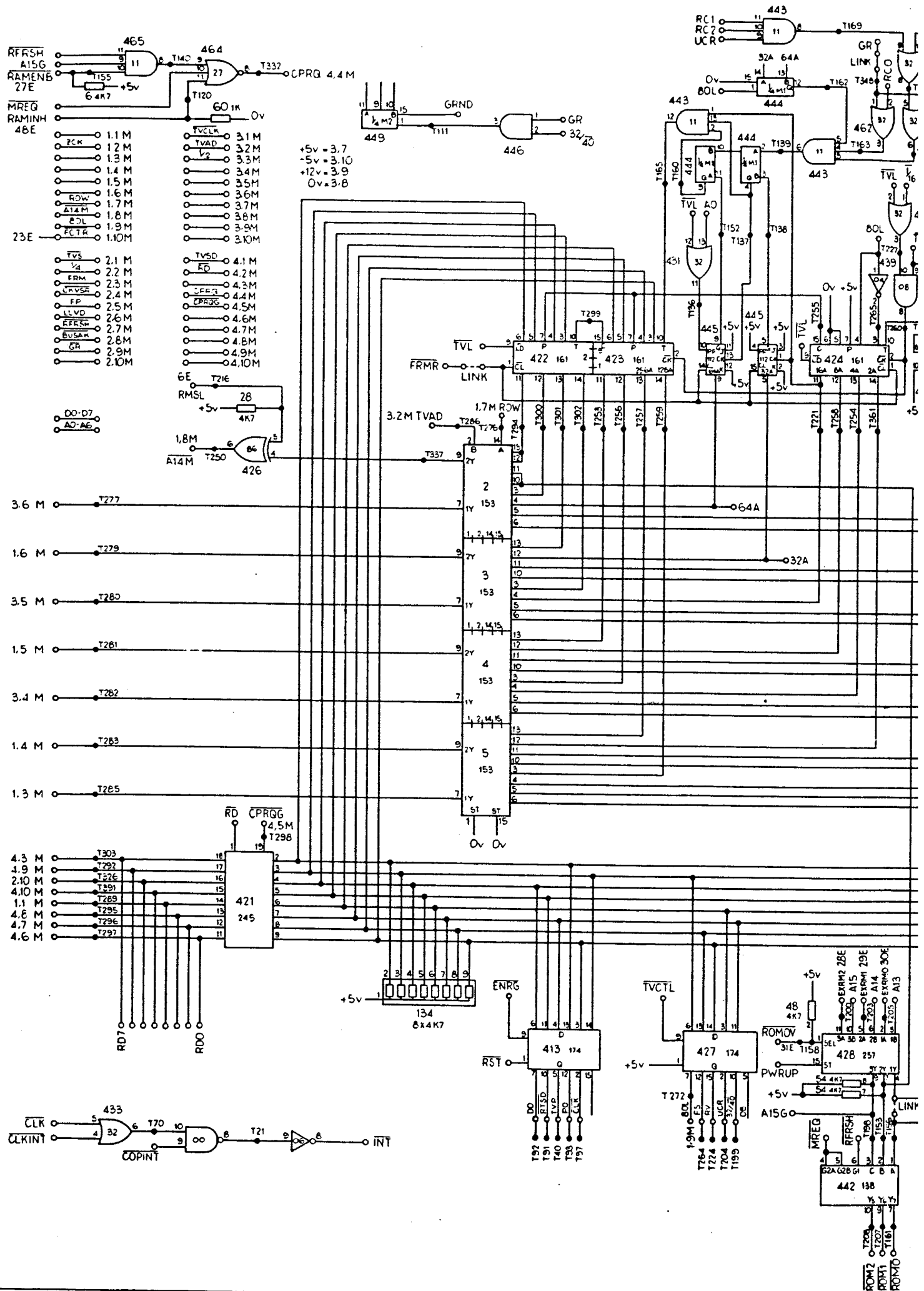
ja 921116



newbrain main board

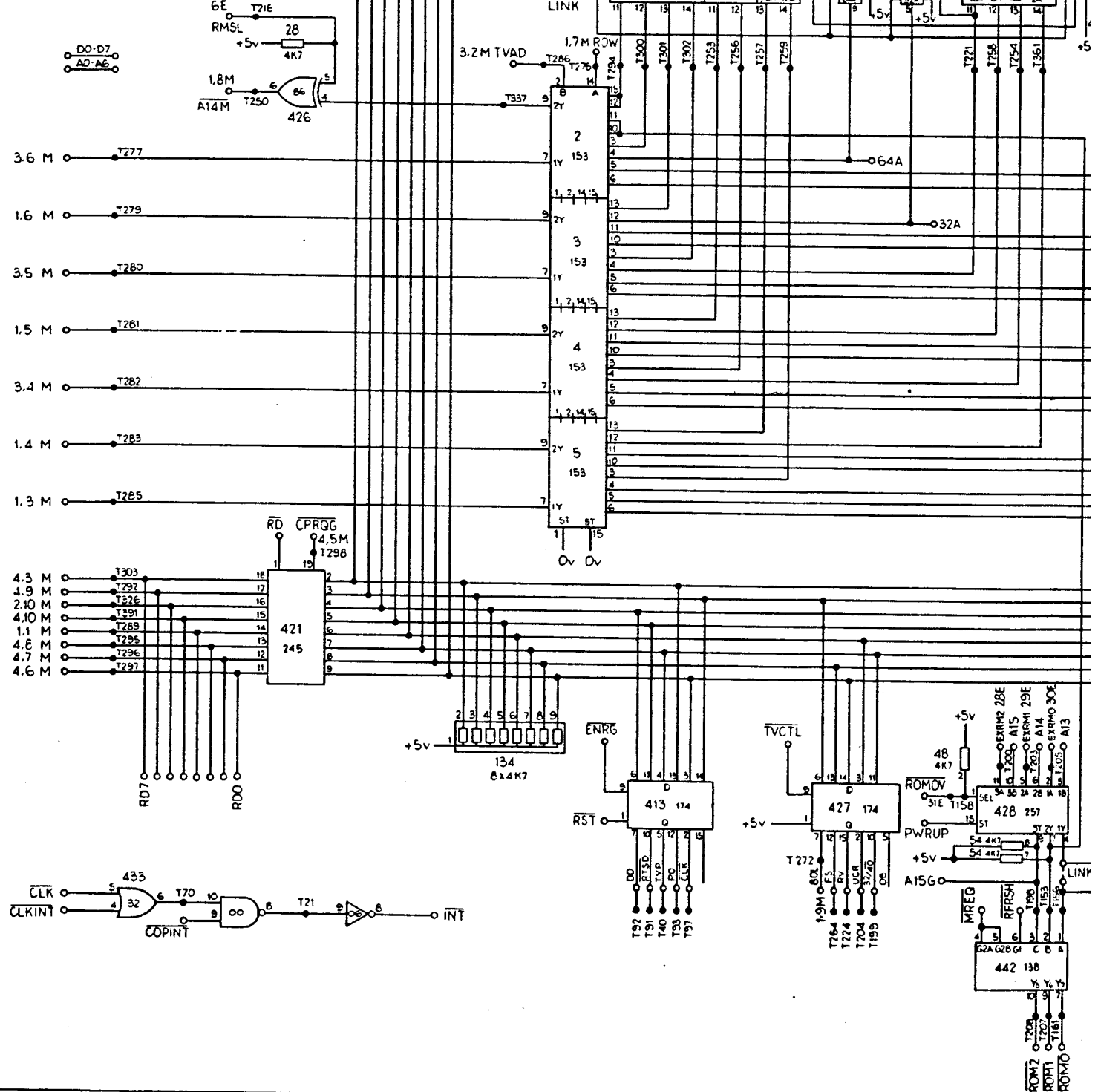


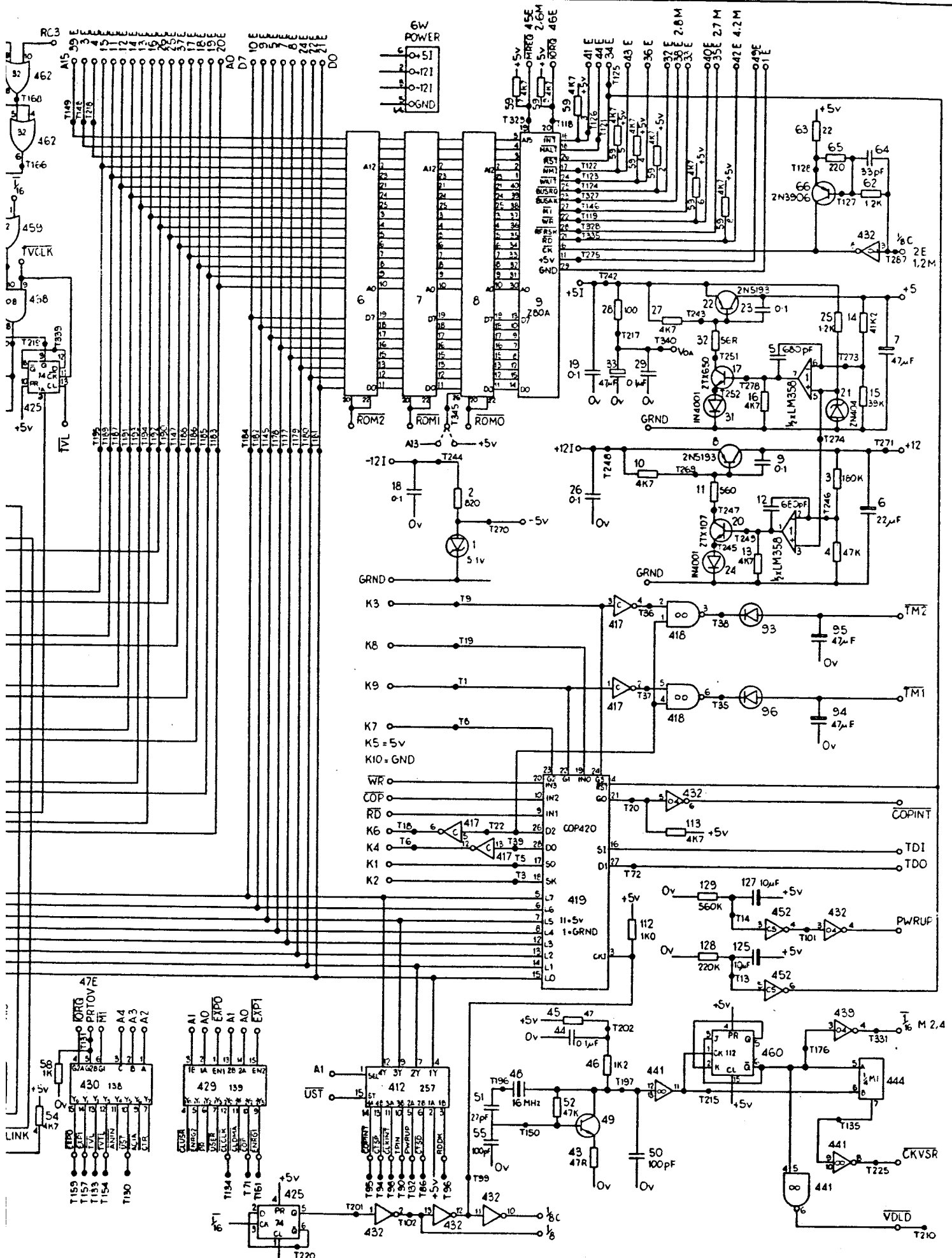
TRADECOM INTERNATIONAL BV									
1	2	3	4	5	6	7	8	9	
DJS	MW	14-7-82	7						
MAIN BOARD									



- RFRSH A15G
 RAMENB 27E
 MREG
 RAMINH 48E
 23E
 FWS 1/4
 FRM
 LKVSZ
 FP
 LLVD
 RFRSH
 BUSAK
 GR
 1.1 M
 1.2 M
 1.3 M
 1.4 M
 1.5 M
 1.6 M
 1.7 M
 1.8 M
 1.9 M
 2.1 M
 2.2 M
 2.3 M
 2.4 M
 2.5 M
 2.6 M
 2.7 M
 2.8 M
 2.9 M
 2.10 M
 3.1 M
 3.2 M
 3.3 M
 3.4 M
 3.5 M
 3.6 M
 3.7 M
 3.8 M
 3.9 M
 3.10 M
 4.1 M
 4.2 M
 4.3 M
 4.4 M
 4.5 M
 4.6 M
 4.7 M
 4.8 M
 4.9 M
 4.10 M

+5v = 3.7
 -5v = 3.10
 +12v = 3.9
 0v = 3.8



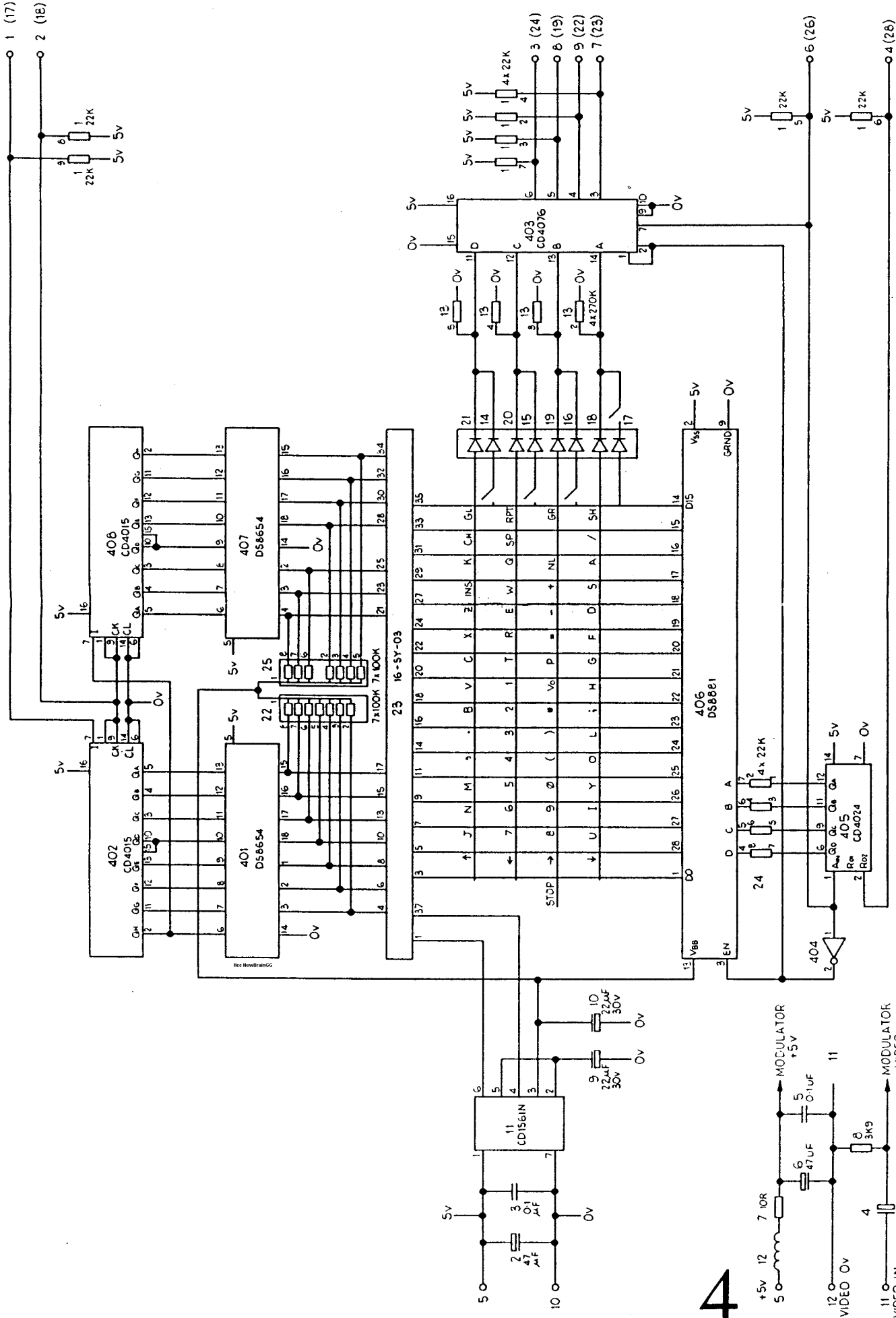


newbrain main board 2

TRADECOM INTERNATIONAL BV

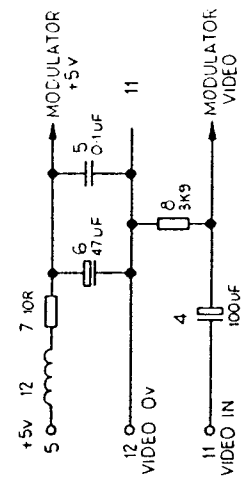
1	2	3	4	5	6	7	8	9
DJS	MW	10-7-82	7	+				
MAIN BOARD								

newbrain keyboard model A

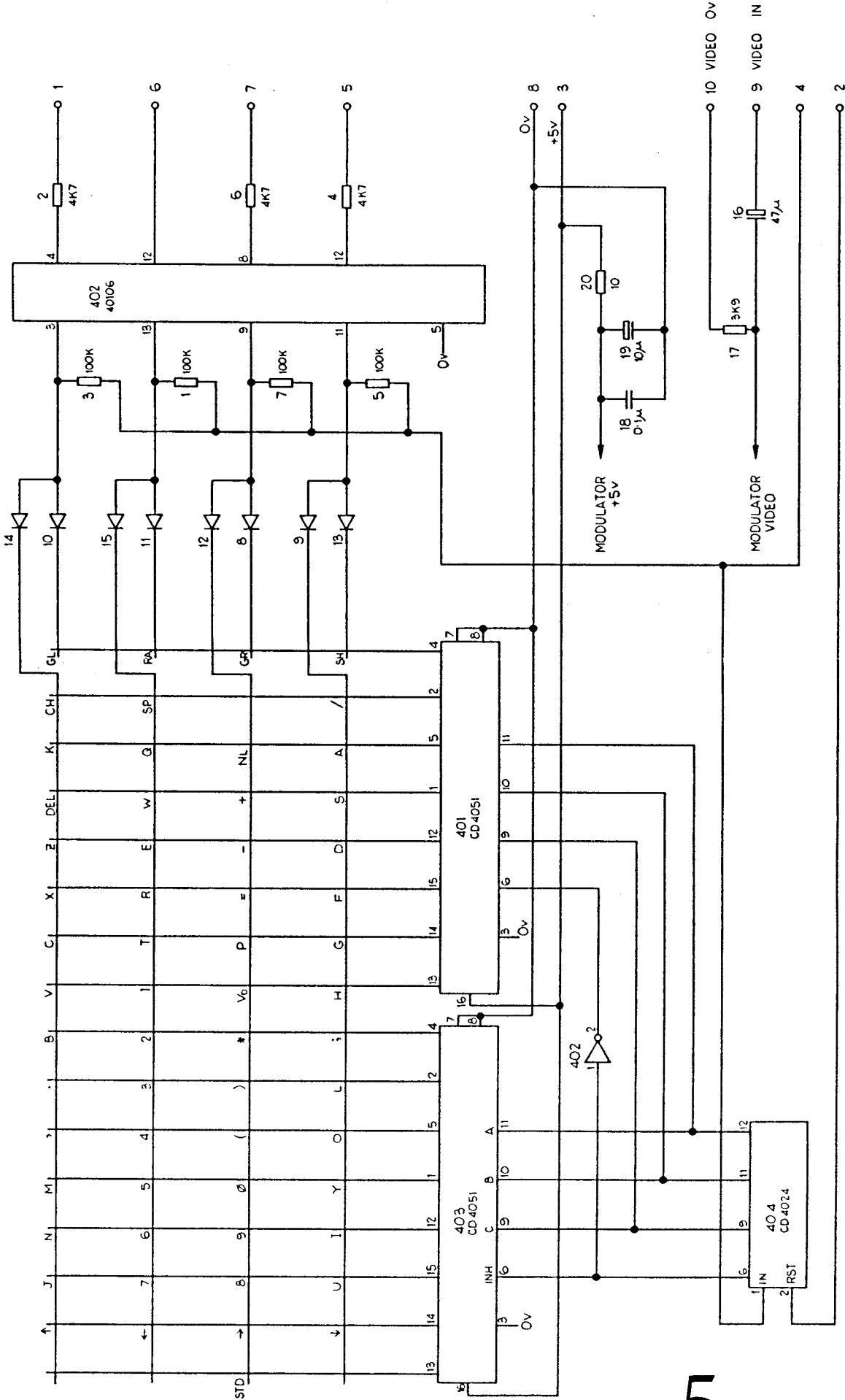


TRADECOM INTERNATIONAL BV
 1 2 3 4 5 6 7 8 9
 DJ5
 12-7-82
 KEYBOARD

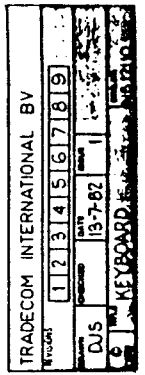
4



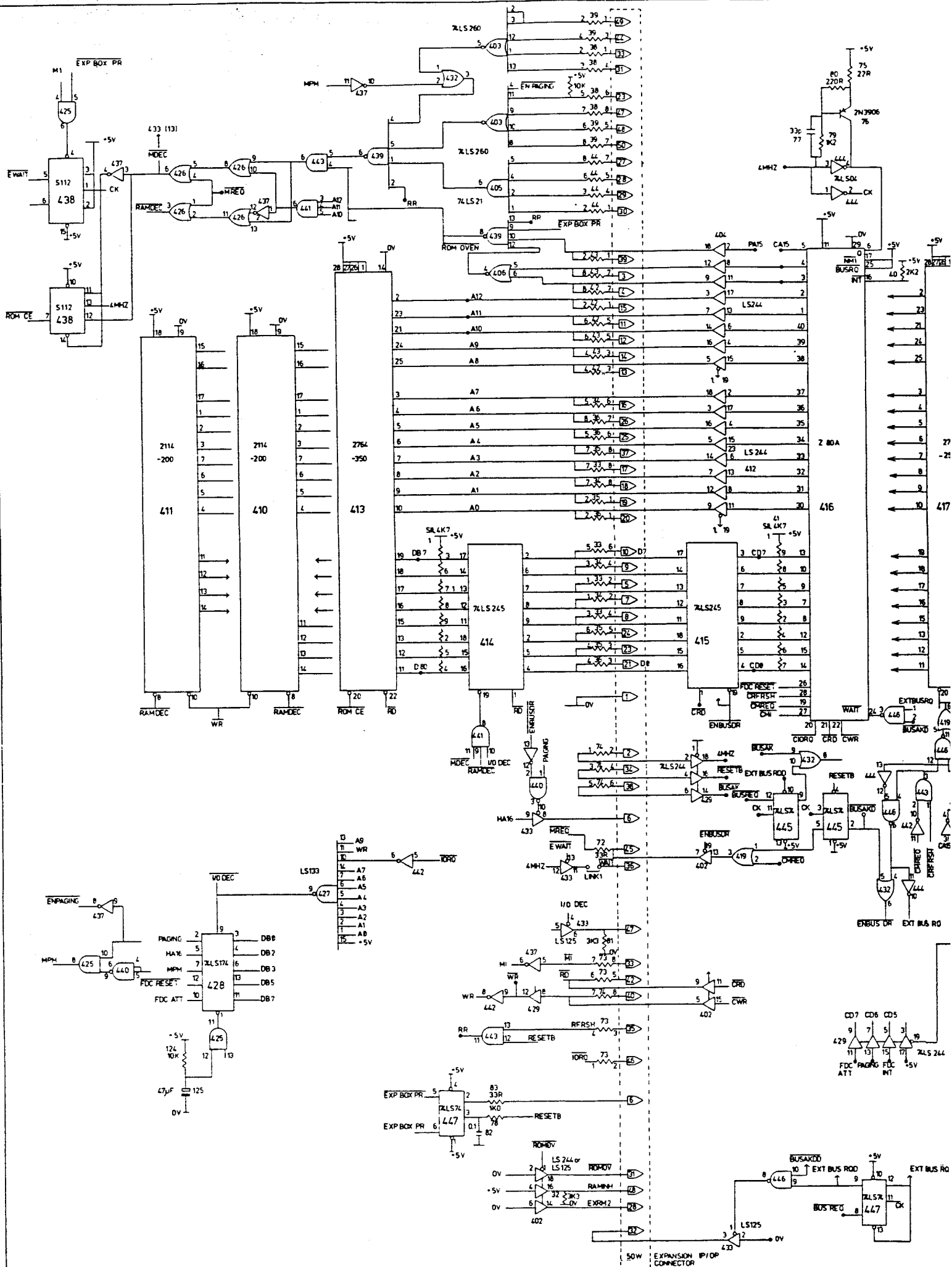
newbrain keyboard model AD

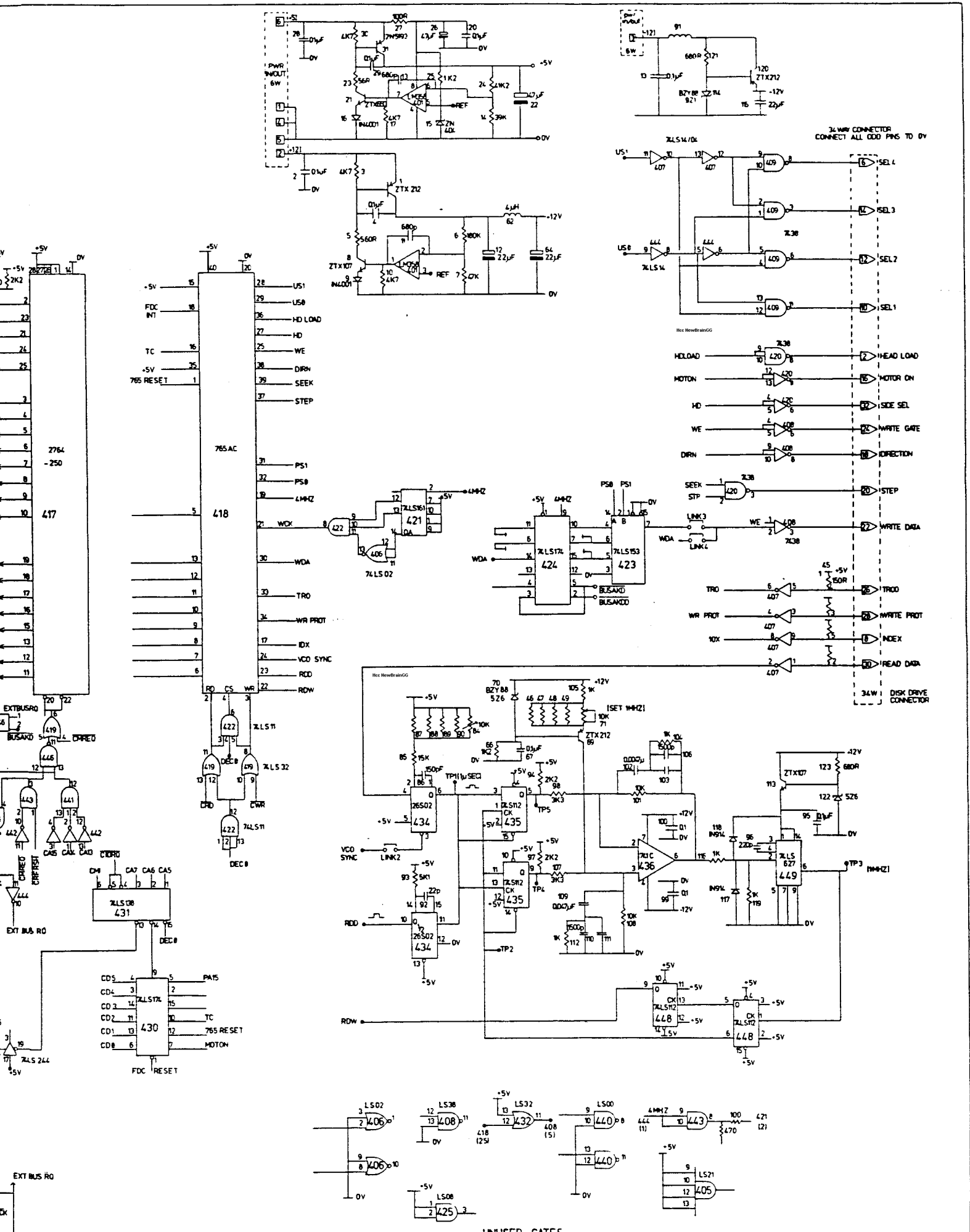


5



McC NewBrainCo



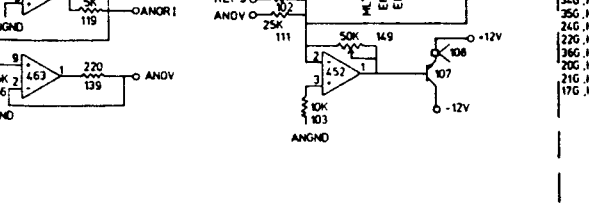
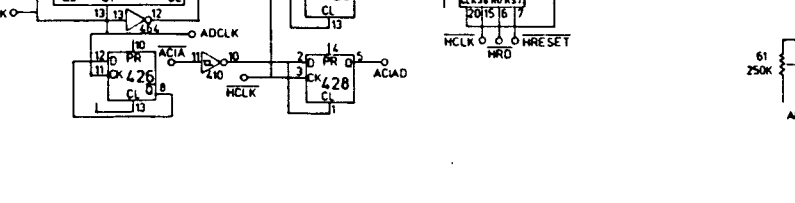
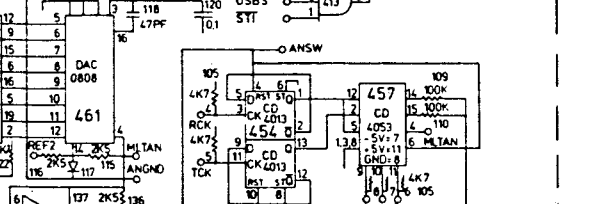
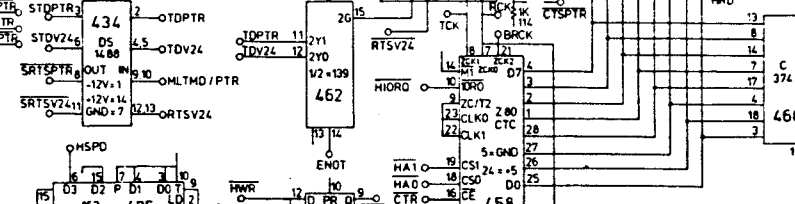
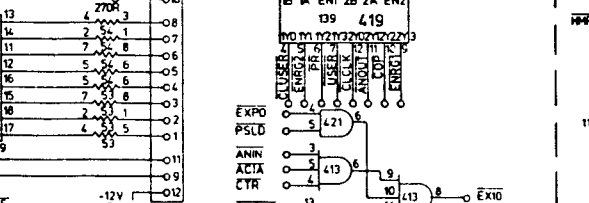
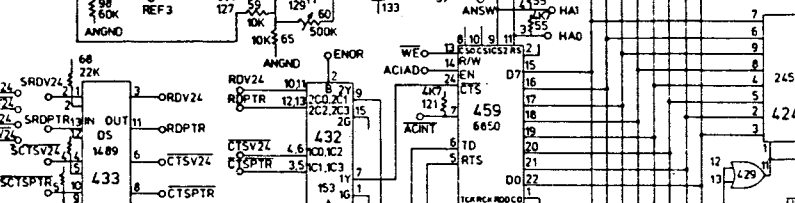
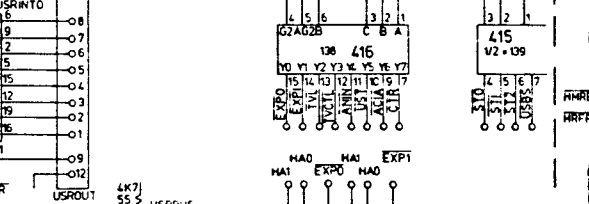
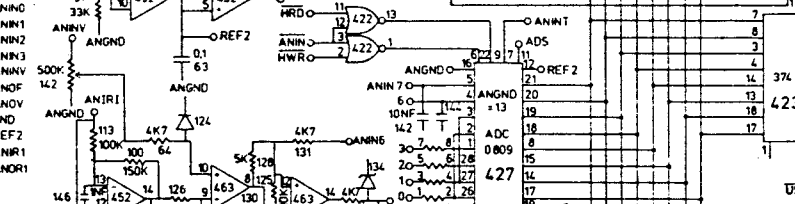
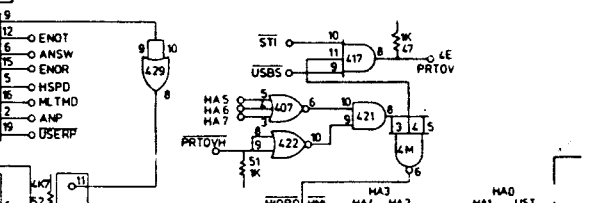
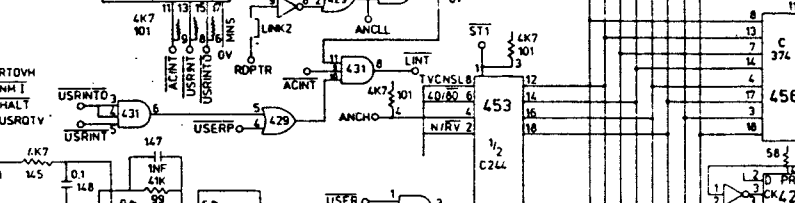
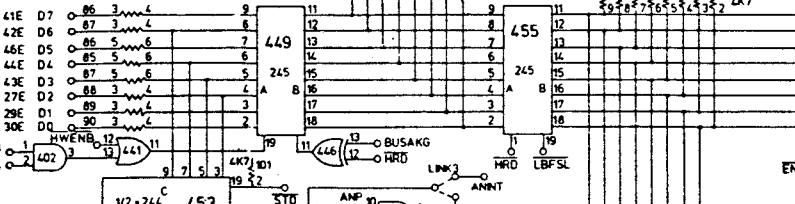
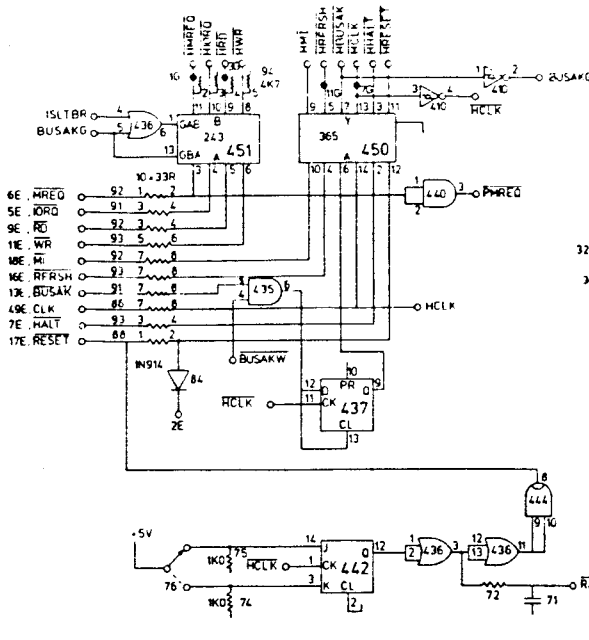
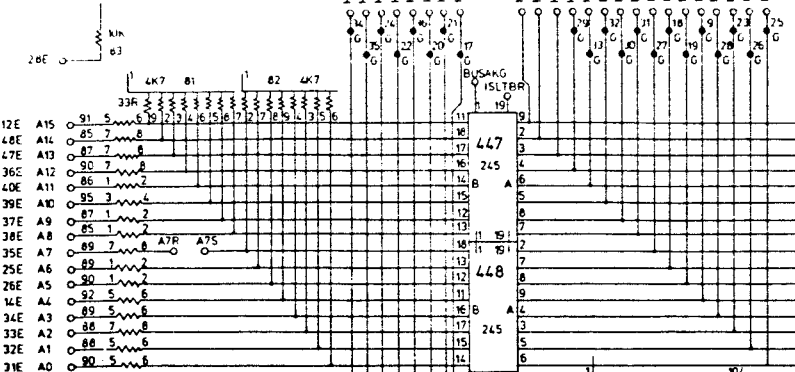
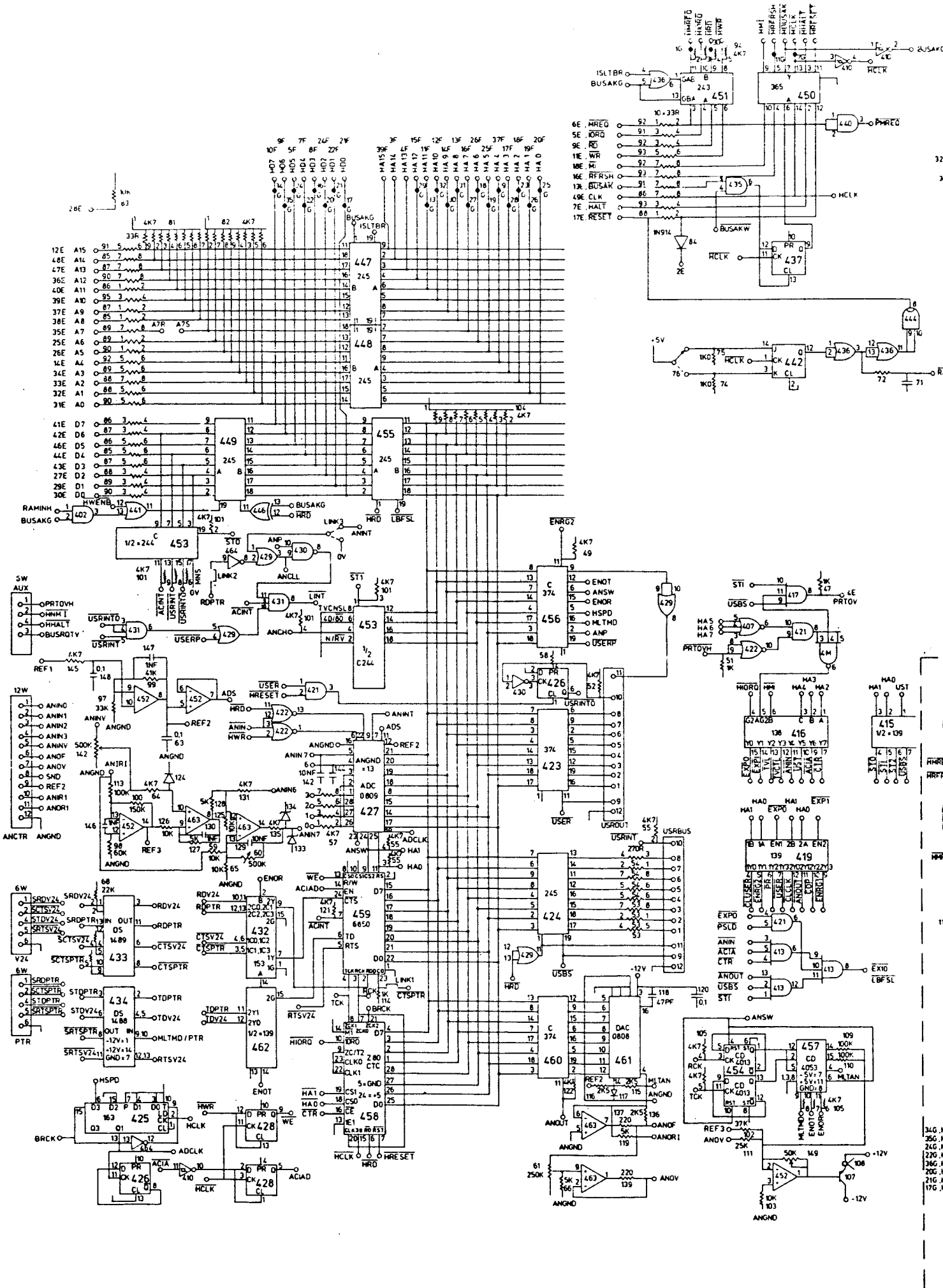


UNUSED GATES

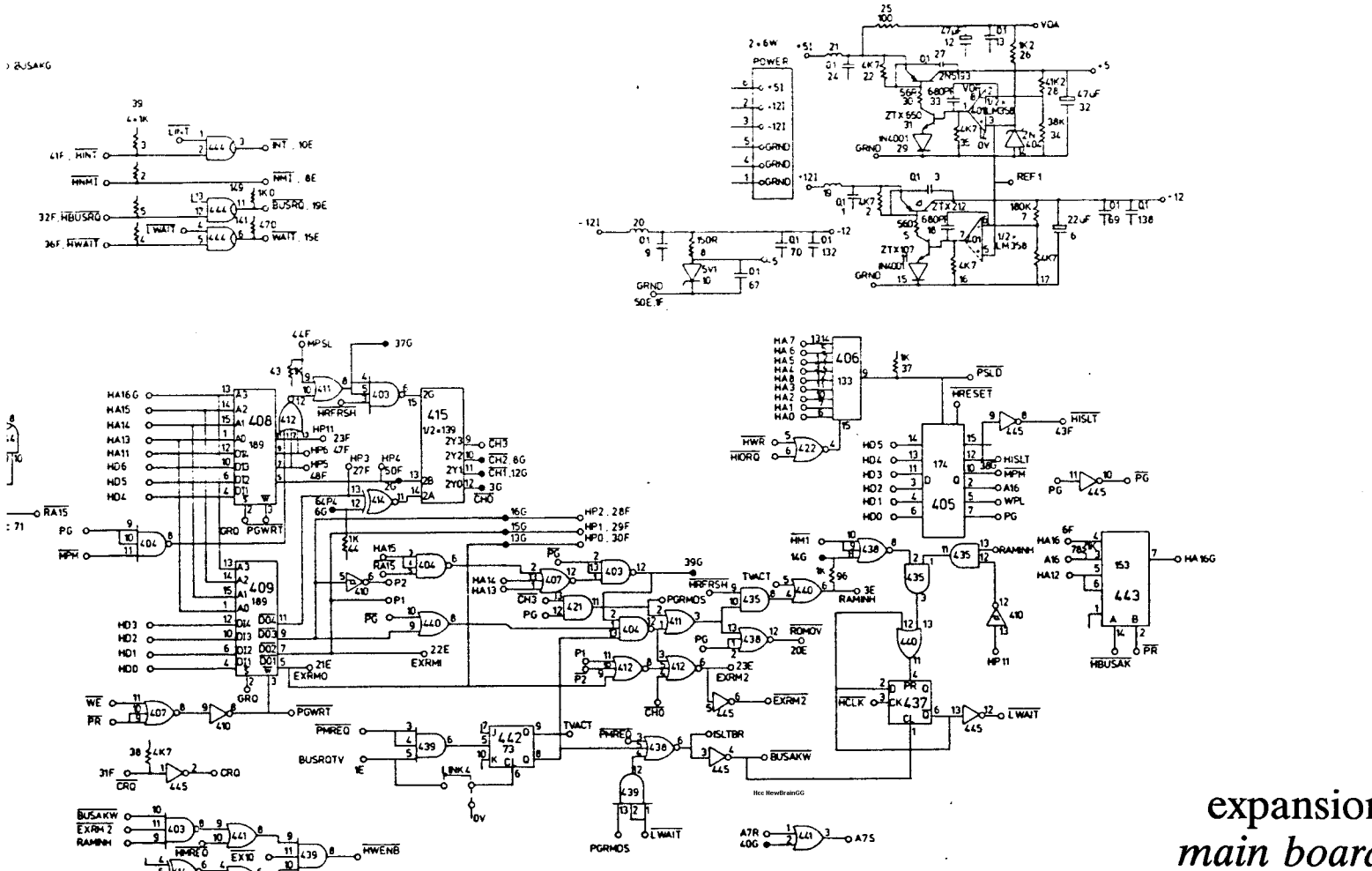
disk controller

6

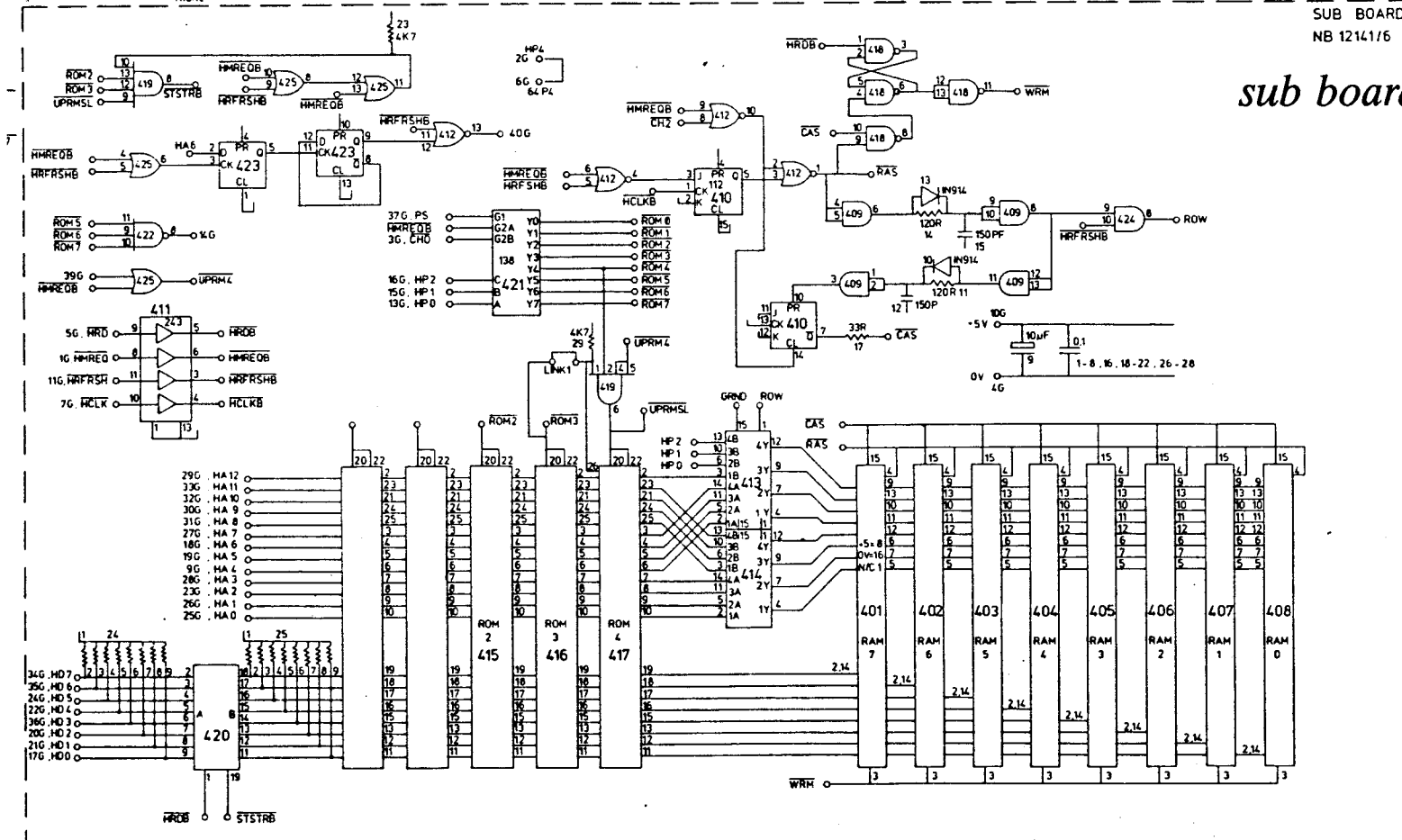
TRADECOM INTERNATIONAL BV			
REVISIONS			
DRAWN	CHECKED	DATE	ISSUE
AVE		30-1-84	
© 1984	TITLE DISC CONTROLLER		DRGNO
	CIRCUIT DIAGRAM		NS 12145A/3



BUSAKG



expansion
main board

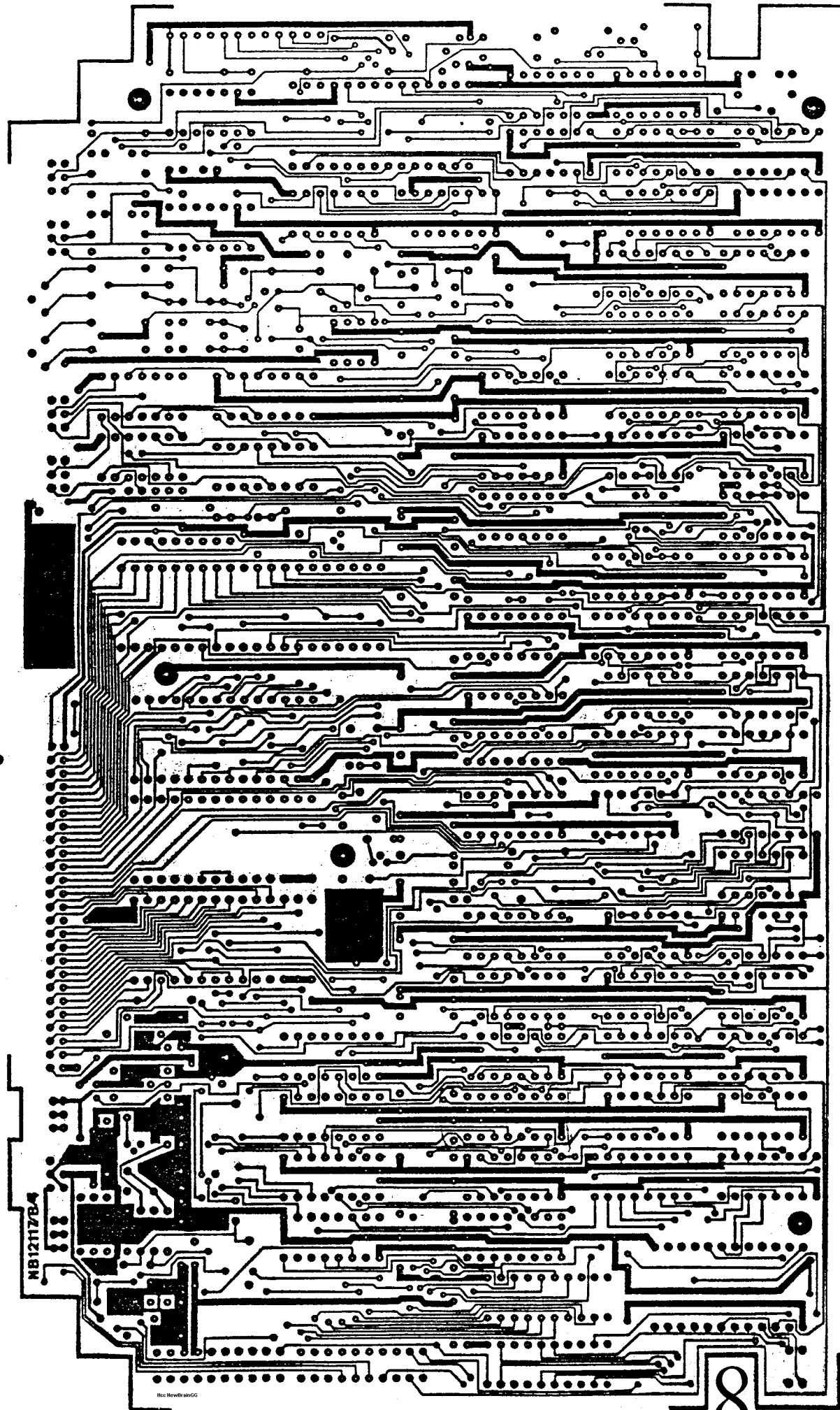


sub board

7

TRADECOM INTERNATIONAL B.V.

REVISIONS			
DRAWN			
CHECKED	DATA	ISSUE	
AVE	22-2-1984		
TITLE EXPANSION MODULE		DRG NO	

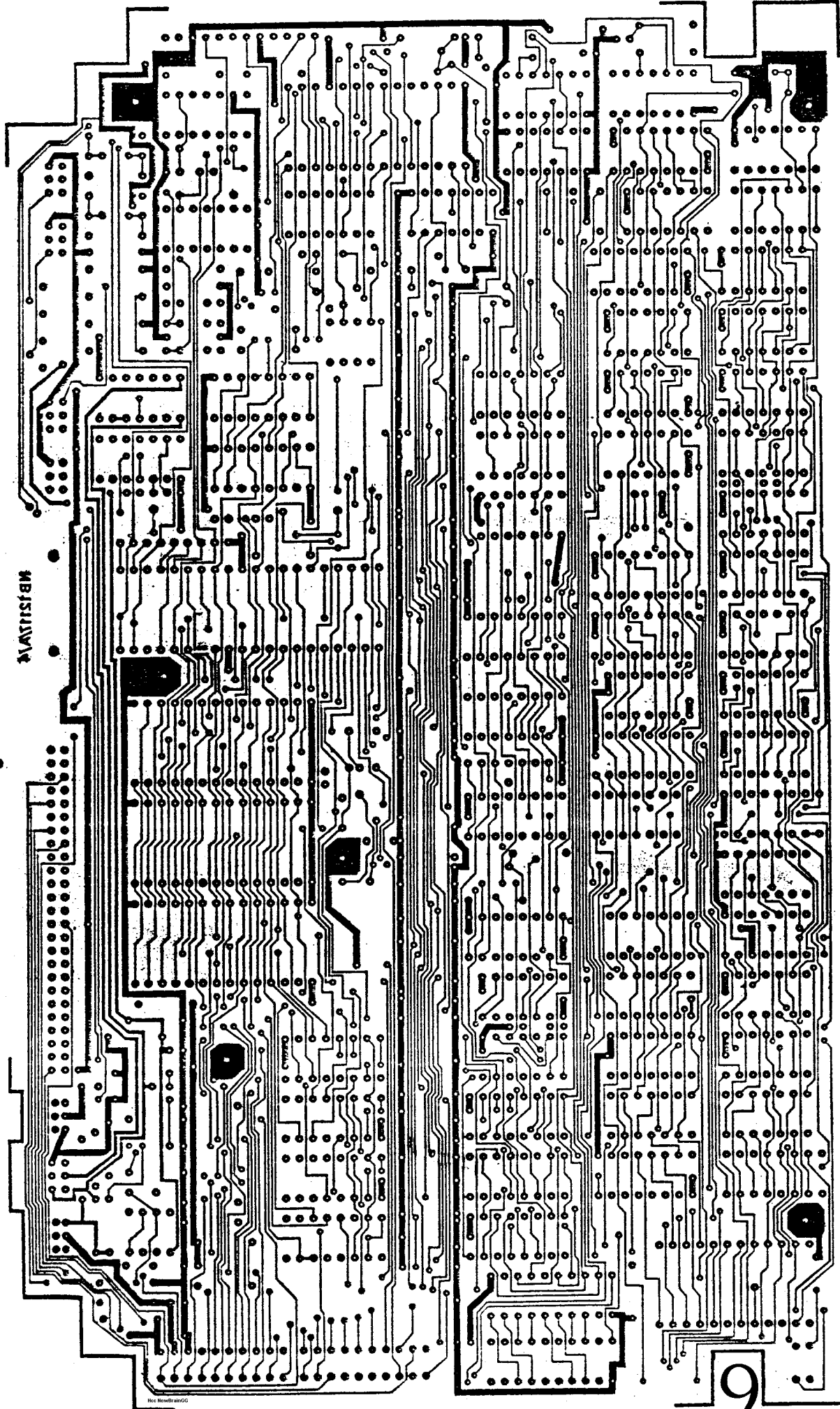


expansion main pcb - componentzijde

MB12117B-4

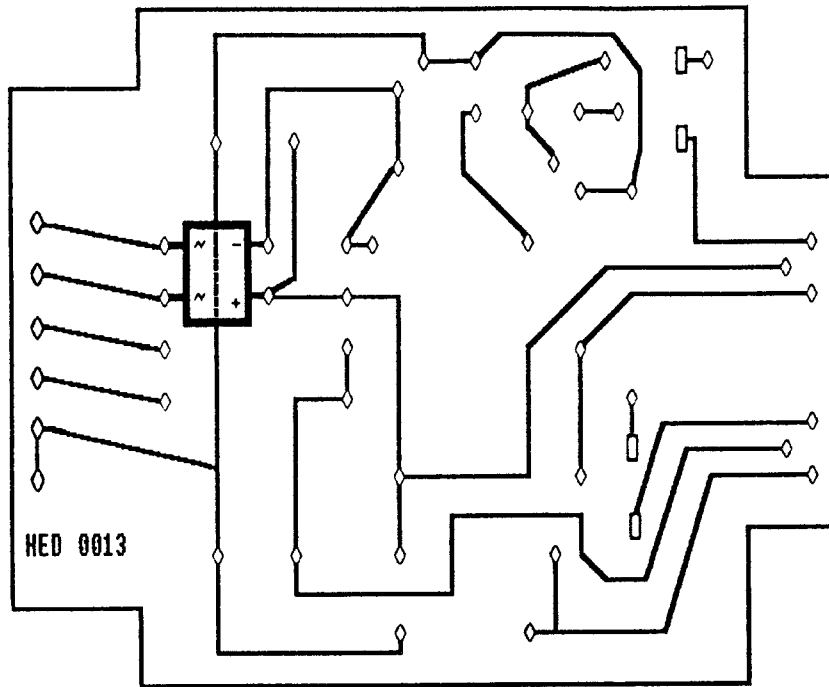
Not. Newell & Girard

8

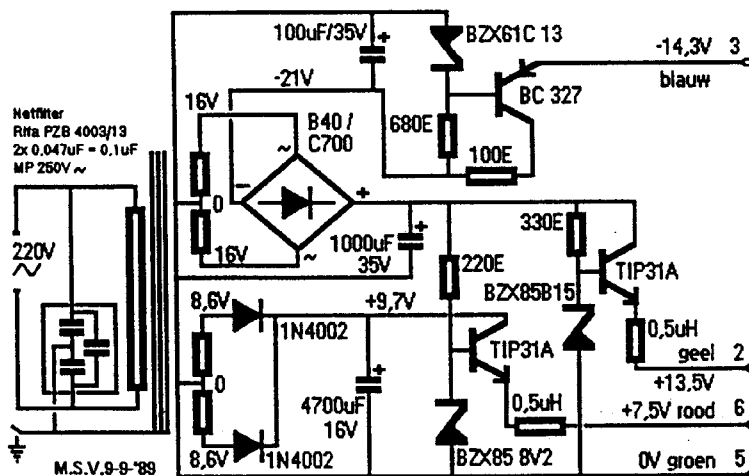
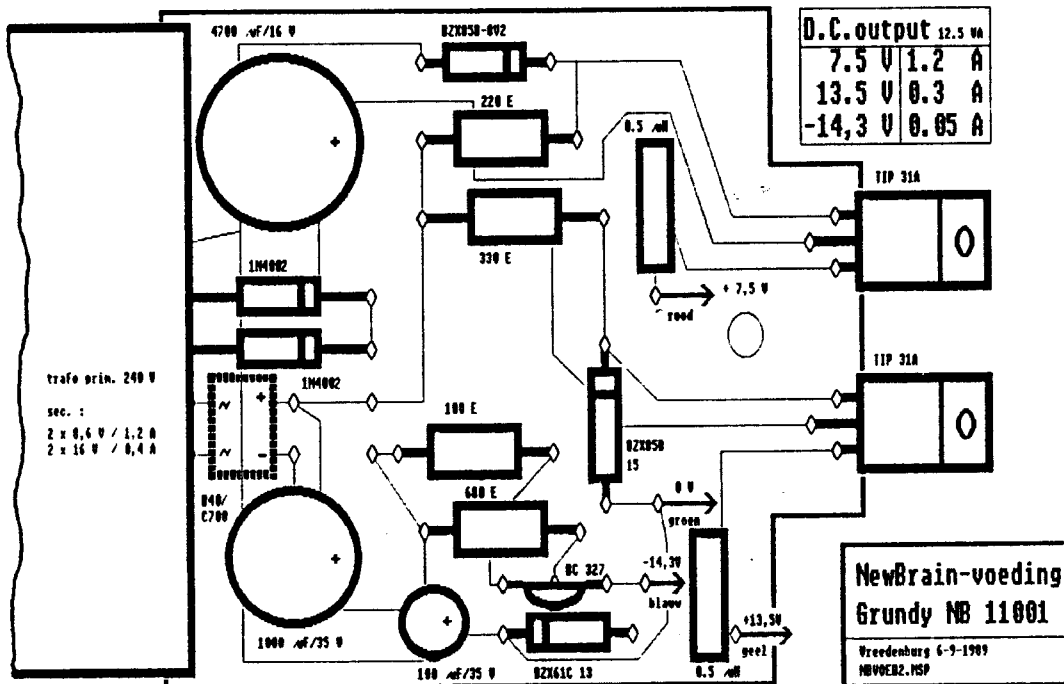


MBJ511V14

expansion main pcb - soldeerzijde (spiegelbeeldig)

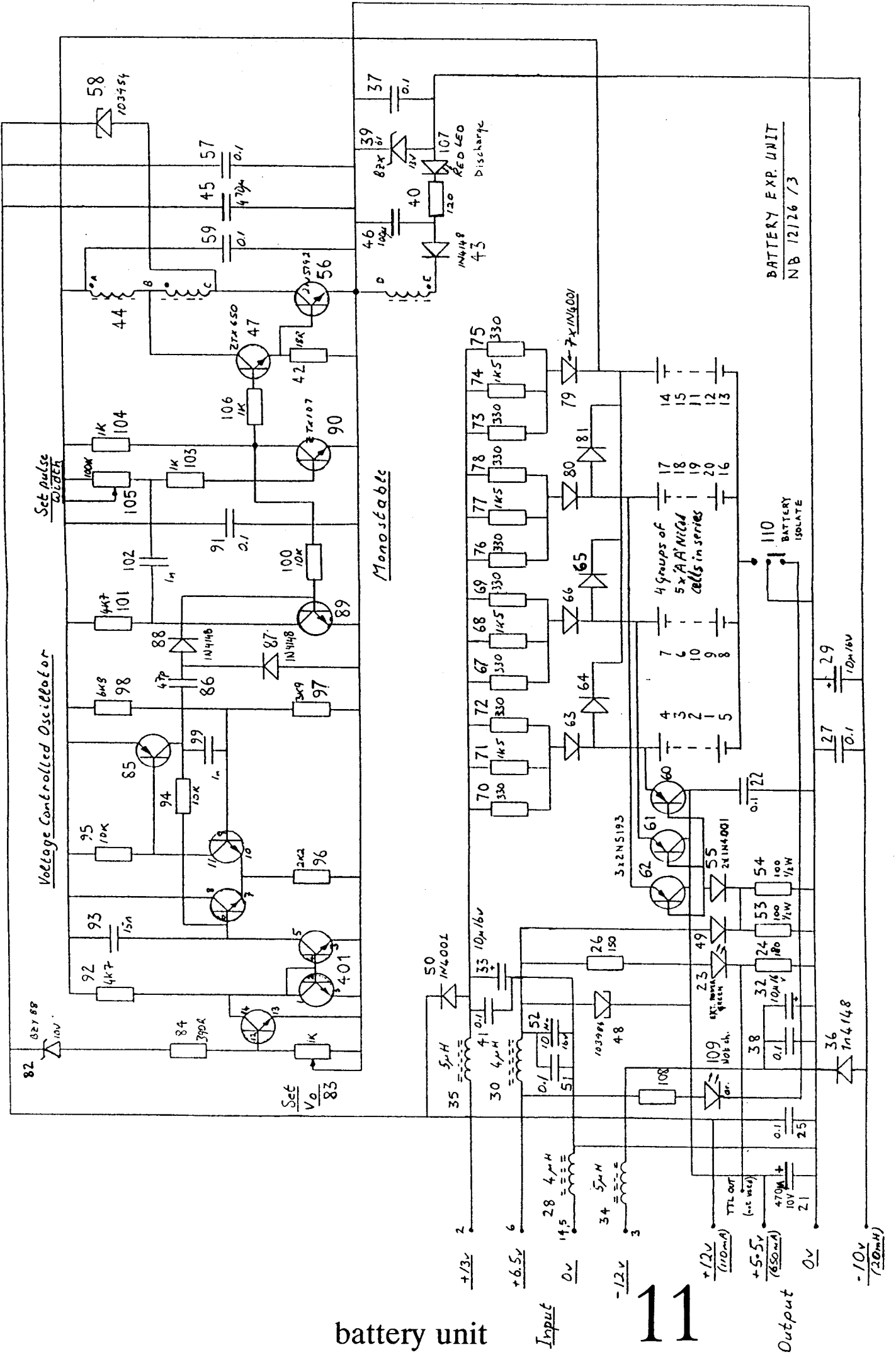


stekker voor voeding NewBrain
aanzicht op de bussen



Schema NewBrain-voeding

(+12v)



BATTERY EXP. UNIT
NB 12126 73

battery unit

Input

11

Output